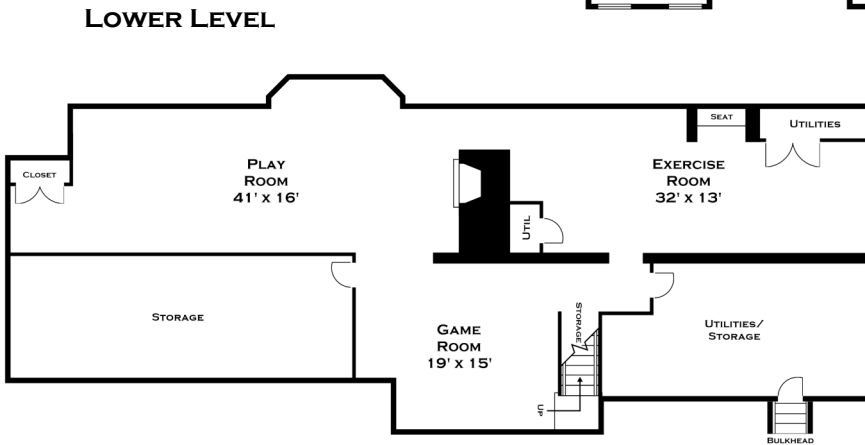
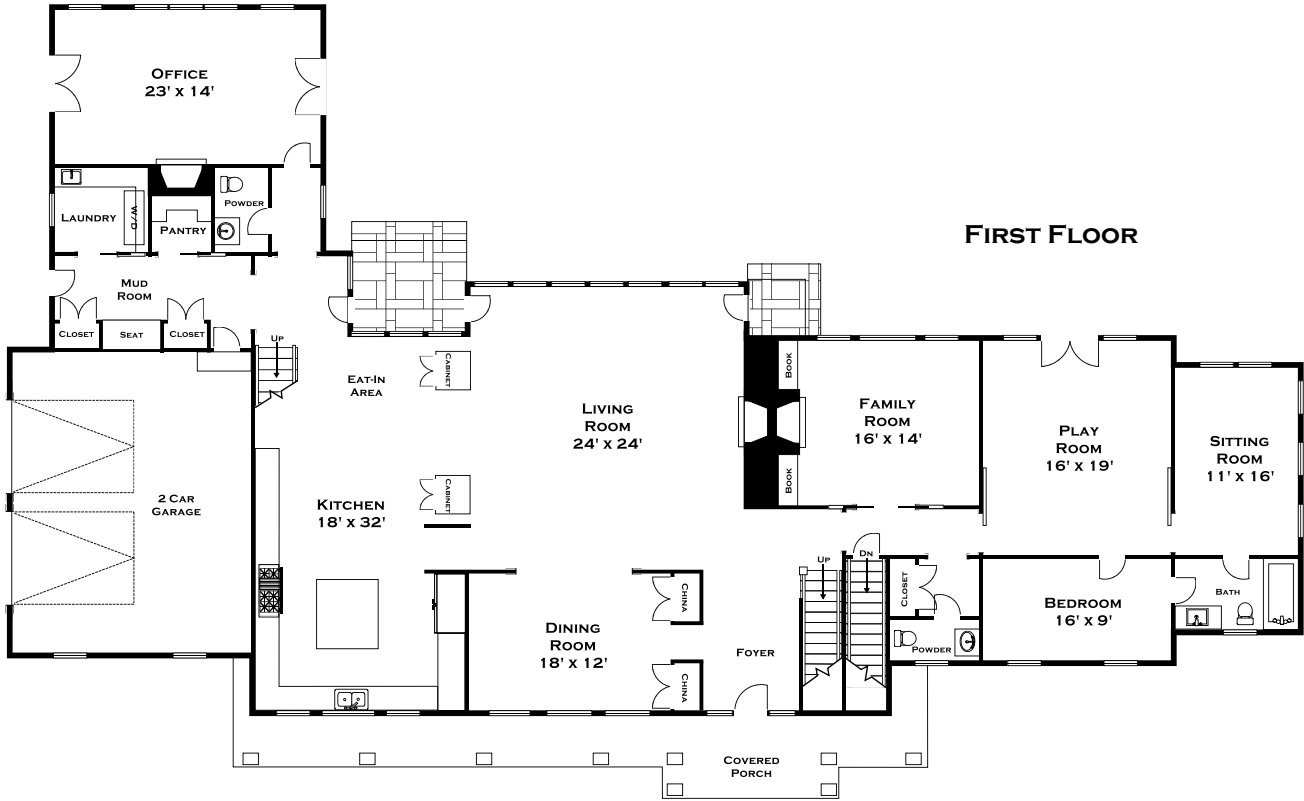


49 NOBSCOT ROAD, WESTON MA

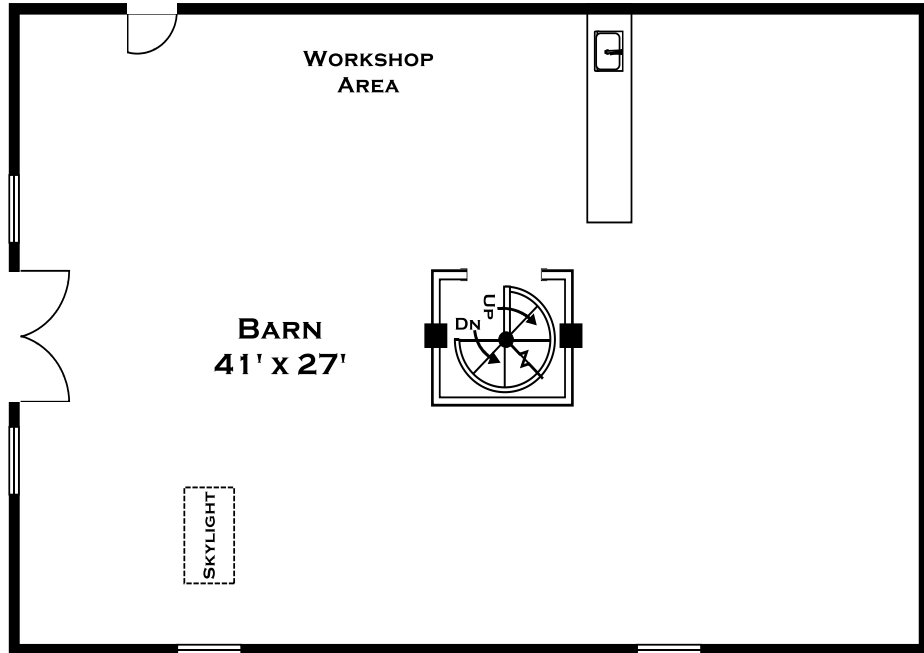


ALL MEASUREMENTS ARE APPROXIMATE AND FOR INFORMATIONAL PURPOSES ONLY—NOT DRAWN TO SCALE

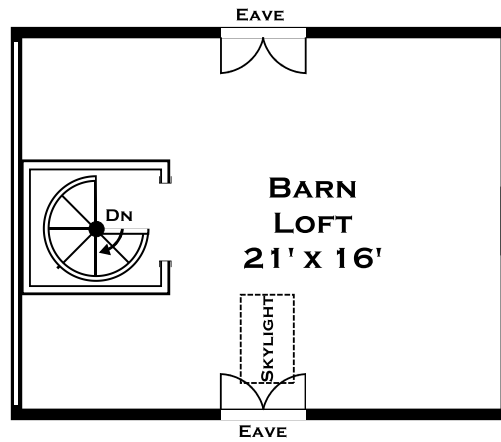
DORENE J HIGGONS
 GRAPHICS/CONSULTING
 781.724.7306
 DORENE.HIGGONS@GMAIL.COM

49 NOBSCOT ROAD, WESTON MA

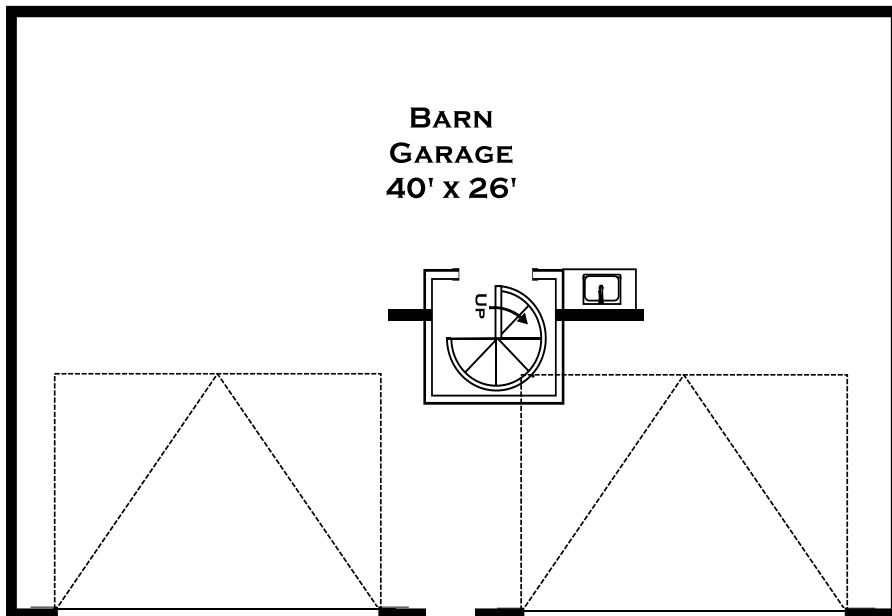
BARN
MAIN FLOOR



BARN
LOFT



BARN
GARAGE
40' x 26'



BARN
LOWER LEVEL

ALL MEASUREMENTS ARE
APPROXIMATE AND FOR
INFORMATIONAL PURPOSES ONLY—
NOT DRAWN TO SCALE



DORENE J HIGGONS
GRAPHICS / CONSULTING
781.724.7306
DORENE.HIGGONS@GMAIL.COM